

Nardi Gas/Electric Upright Cooker

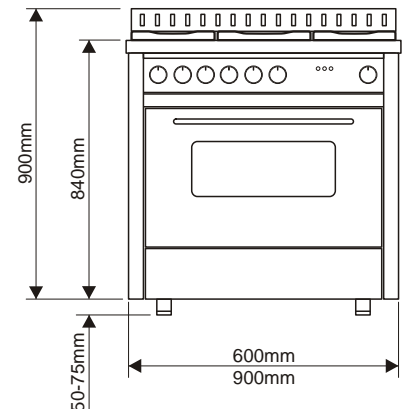
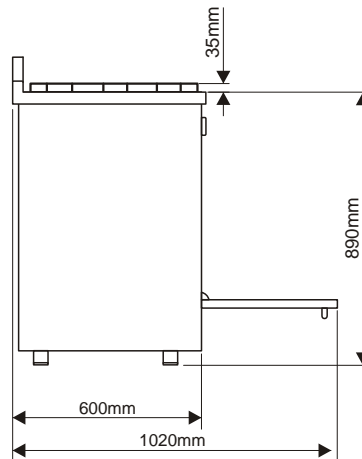
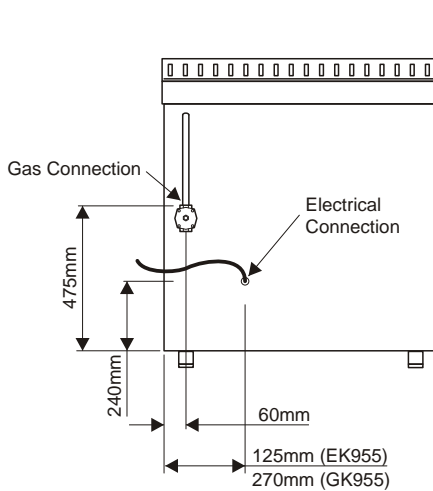
NG pressure: 1.00 kPa
LPG pressure: 2.75 kPa

Package size: GK664 - 90H x 64W x 67D cm
EK955 - 90H x 98W x 69D cm
Package weight: GK664 - 60 kg
EK955 - 85 kg

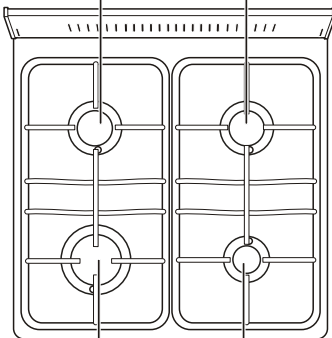
TOTAL GAS CONSUMPTION (MJ/h)		
Model	Natural Gas	Propane Gas
GK664	30.0	28.2
EK955	41.0	38.7



POWER CONSUMED BY ELECTRIC OVEN WITH THERMOSTAT					
MODEL	BOTTOM HEATING ELEMENT	TOP HEATING ELEMENT	GRILL HEATING ELEMENT	CIRCULAR HEATING ELEMENT	MAXIMUM
GK664	1000 W	800 W	1600 W	2300W	2674W
EK955	1400 W	1200 W	2000 W	2600 W	2850 W



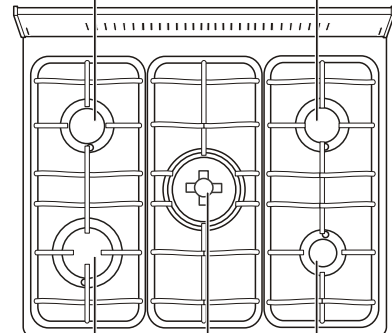
Medium 1.20 NG 0.72 LPG 7.1 MJ/h NG 6.8 MJ/h LPG	Medium 1.20 NG 0.72 LPG 7.1 MJ/h NG 6.8 MJ/h LPG
---	---



GK664

Large 1.55 NG 0.92 LPG 11.8 MJ/h NG 11.0 MJ/h LPG	Small 0.90 NG 0.55 LPG 4.0 MJ/h NG 3.6 MJ/h LPG
--	--

Medium 1.20 NG 0.72 LPG 7.1 MJ/h NG 6.8 MJ/h LPG	Medium 1.20 NG 0.72 LPG 7.1 MJ/h NG 6.8 MJ/h LPG
---	---



EK955

Large 1.55 NG 0.92 LPG 11.80MJ/h NG 11.0 MJ/h LPG	Small 0.90 NG 0.55 LPG 4.0 MJ/h NG 3.6 MJ/h LPG
Wok 1.50 NG 0.90 LPG 11.0 MJ/h NG 10.5 MJ/h LPG	